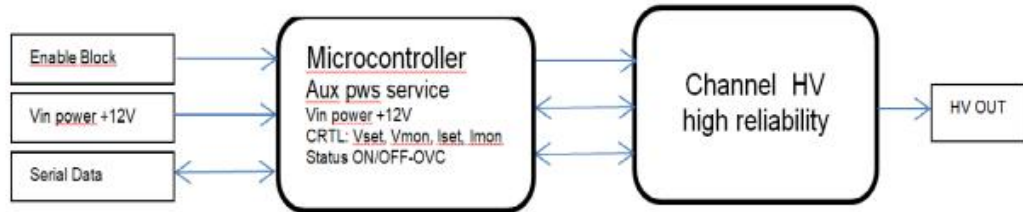


HV standalone modules



data connector RS 485 (usb/coaxial adapter available)



power supply 12 V, available, low cost, maybe we can ask a distributor



<p>✓ 15 In consegna il giorno lavorativo successivo per ordini pervenuti entro le 19:00 (magazzino in Italia)</p> <p>📦 54 Entro 3 giorni lavorativi per ordini effettuati entro le 19:00 (magazzini in Europa).</p>	
Prezzo per: Unità	€ 13,76 (IVA inclusa)
€ 11,28 (IVA esclusa)	
Unità	Per unità
1 - 9	€ 11,28
10 - 19	€ 10,94
20 - 49	€ 10,61

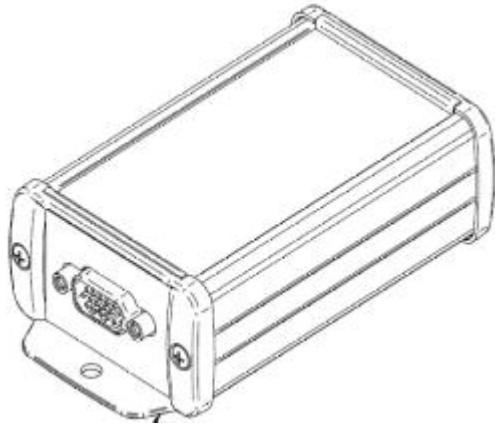
Voltage Supply (Vin)	+12V ±10%
Voltage set/mon resolution	Set:200mV / mon:100mV
Max Output Voltage	12KV
Max Output current	20uA
Current set/mon resolution	Set:1nA / mon :500pA
Rump UP/Down	1:500V/sec
Vmon vs Vout Accuracy	Typical ±0,2% ±0,5% Max ±0,3% ±0,5%
Imon vs Iout Accuracy	Typical ±0,5% ±20nA Max ±0,5% ±20nA
Ripple	10H:1000Hz >1000Hz
	Typical ±30mV ±50mV Typical ±25mV ±40mV
Output Power	240mW
Power requirement	<3 Watt
Serial data	Rs485
HV connectors	Lemo HV connetor:FFB.3S.451.CLAC62

Important features

- 12 kV (we can use them with HFO 1234ze !!!!!!!)
 - single gas!!!
- remotely controlled
- we can store HV in DAQ easily for analysis
- Easily powered (low cost)
- very low ripple ($\ll 1$ V!!!!)

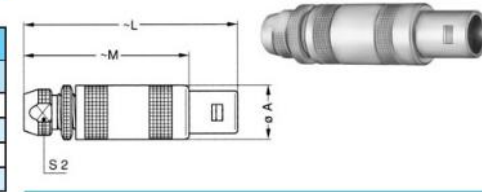
we can ask for

- 12 V power distribution for 6 boxes
- RS458-->usb or thunderbolt connector



FFB Straight plug, cable collet and safety locking ring

Reference		Dimensions (mm)			
Model	Series	A	L	M	S2
FFB	0S ✓	9.0	36.8	26.8	6.5
FFB	1S ✓	12.0	45.0	34.0	8.5
FFB	2S ✓	14.8	55.5	43.5	11.0
FFB	3S ✓	17.8	65.0	50.0	14.0



	1 pz	10 pz 6%	20 pz 9%	50 pz 18%
HV+ 12 kV 20 µA	600	564	546	492
HV- 12 kV 20 µA	600	564	546	492